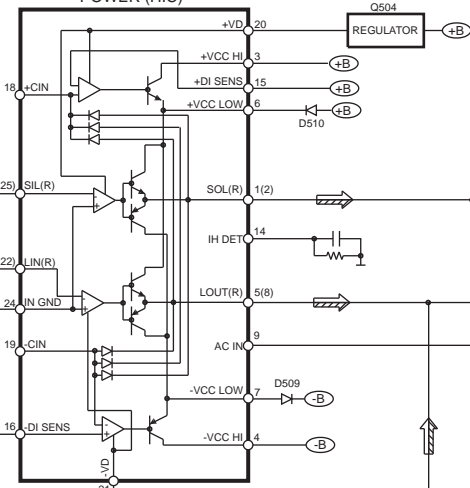


SIGNAL LINES



IC500
RSN309W44B
POWER (HIC)



IC501
STK470-070
POWER IC

